

# Aivia 210

## A-MIP 210 Setup and user guide



# General Information

## Important

Read this manual before installation and use of the Aivia. Read this section carefully and follow the instructions.

The warranty does not cover damage caused by failure to follow these instructions.

Never install an AIVIA in direct exposure to sunlight.

The unheated AIVIA must be installed in a temperate environment, in accordance with the manufacturer's specifications for the defibrillator.

The heated AIVIA must be installed in an environment that respects the operating temperatures of the AIVIA. You must monitor and follow up alerts related to temperature.

## General Notice

The characteristics of the AIVIA are subject to change without notice.

The manufacturer of the AIVIA reserves the right to change products at any time, including unconstrained modifications to previously delivered products.

The AIVIA commercial brand is a registered trademark.

## Safety

- To avoid risk of fire or electric shock, the AIVIA should not be placed near any naked flame.
- Leave a space of at least 13 cm around the AIVIA to assure proper ventilation.
- Keep the AIVIA away from radiators or any other heat source.
- Do not place the AIVIA near any devices that generate heat. Do not place anything under the AIVIA.
- To avoid damage, do not insert objects into any of the openings in the AIVIA.
- Never install the AIVIA in direct exposure to sunlight.
- Do not expose the AIVIA to any moisture when the door is open.
- The mountings must be adapted to the type of support on which the AIVIA is fixed.
- The manufacturer cannot be held liable for improper mounting or in the case of accident or injury during its mounting.

## Warranty

Do not disassemble the various elements constituting the AIVIA.

Do not push objects into openings.

Only qualified personnel may carry out repairs on the AIVIA.

Failure to comply with this will void any warranty.

Any operation expressly prohibited, or assembly procedures not recommended by this manual, will also void the warranty.

## Environmental information

- When returning the AIVIA, you should only use the original packaging.
- Do not dispose of the AIVIA or its packaging with normal household waste. Use the collection system in place in your area. The use of collection systems will help preserve the environment and your health.
- The AIVIA can contain batteries in compliance with EU Directives 2006/66/CE and 2008/103/CE. These cannot be disposed of with normal household waste. Please use the system for collecting used batteries in place in your area. The proper disposal of used batteries preserves the environment and your health.



## Maintenance

### CAUTION

**THE AIVIA CAN CONTAIN BATTERIES.  
THERE IS A RISK OF EXPLOSION IF BATTERIES  
CONTAINED USED BY THE AIVIA ARE REPLACED  
BY INCORRECT BATTERIES.**

**ONLY A QUALIFIED OPERATOR IS AUTHORIZED TO  
REPLACE THE BATTERIES.**

## Compliance

EN 55022:2006

EN 55024: 1998/ A1 : 2001/ A2 : 2003

EN 60950-1 : 2006

# Summary

---

---

## Installation

<b>Important</b>	<b>4</b>
Aivia presentation	4
Identification plate	4
First opening	4
Aivia fixing	5
Connecting the power supply to the Aivia	6
Installing the AED	7
Setting up the Aivia	7
Door opening codes	7
Alert temperatures	7
Heating/Fan activation temperatures	8
Close the AIVIA door	8
Pictograms	8

---

## Use

Night mode operation	10
Heating option operation	10
Alert operation	10
Using the Aivia	10
After using the defibrillator	10
Aivia maintenance	10

---

## In case of breakdown

**11**

---

## Electrical Installation

**13**

Power supply unit	13
-------------------	----

---

## Specifications

Mechanical characteristics	14
Electrical characteristics	14
Compliance	14

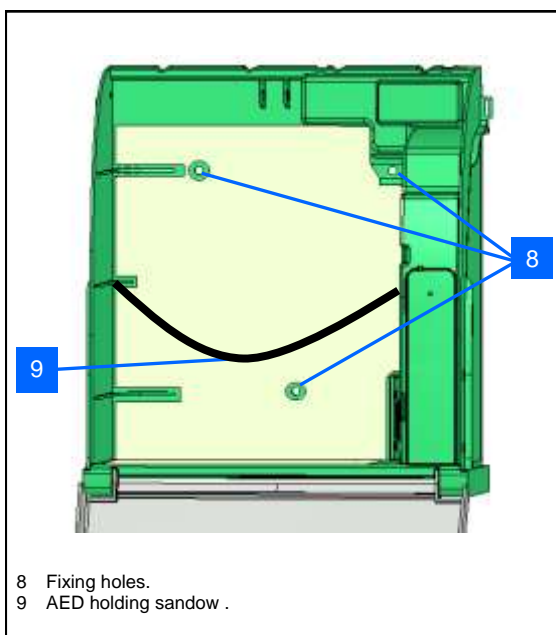
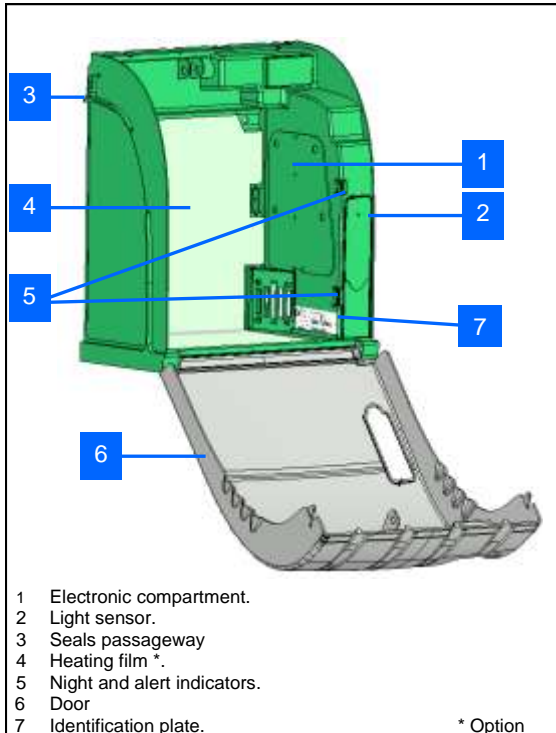
# Installation

## Important

Read this manual with caution before setting up and using the Aivia.

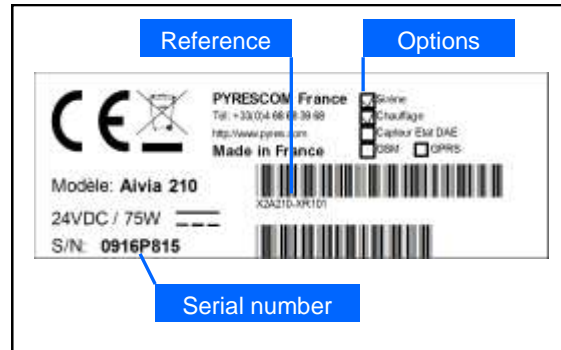
**Never install Aivia under direct sunlight exposure. You risk exposing the defibrillator to excessive temperatures.**

## Aivia presentation



## Identification plate

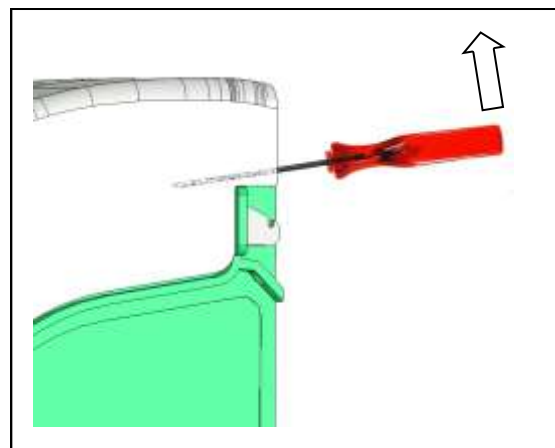
- The identification plate is stuck inside the Aivia



- In the event you need to join the customer service or your partner, make sure you are able to provide the Aivia reference and serial number.

## First opening

- To open the Aivia door before it is fixed on the wall, use a small screwdriver.
- Slip the screwdriver between the door and the chassis of the Aivia.
- Pull up the screwdriver, taking care to not leave marks on the Aivia.



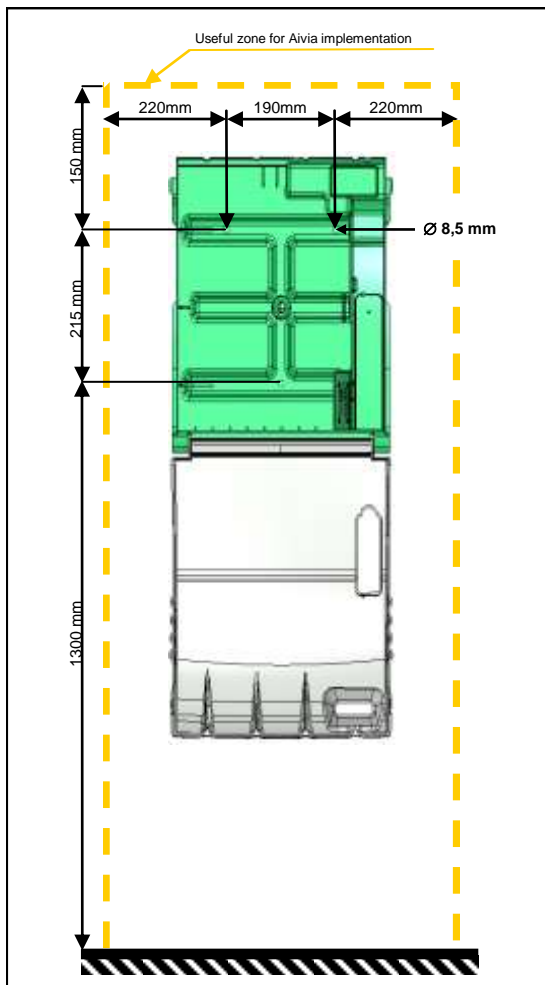
- Repeat on the other side of the Aivia.

# Installation

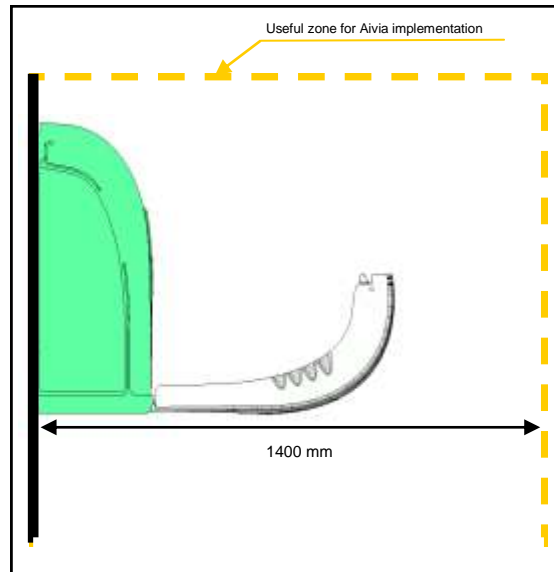
## Aivia fixing

**Never install Aivia under direct sunlight exposure. You risk exposing the defibrillator to excessive temperatures.**

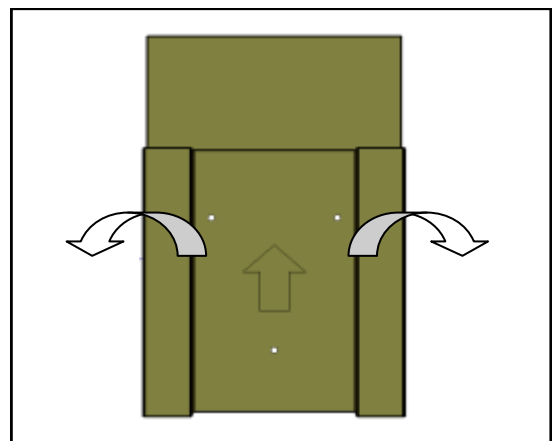
- Aivia installation must be done by qualified personnel only and member of the Bornavie charter.
- If the Aivia is installed in the street or any unrestricted passage way, select a ground surface (abutment) or a column.
- Fixing must be adapted to the type of support the Aivia is being fixed on.
- Aivia implementation zone must be free as signified above.
- Exact dimentions of the Aivia are provided at the Specifications sections of this document.
- Make sure that every cable has been taken thru the cable passage before affixing the Aivia to the wall.



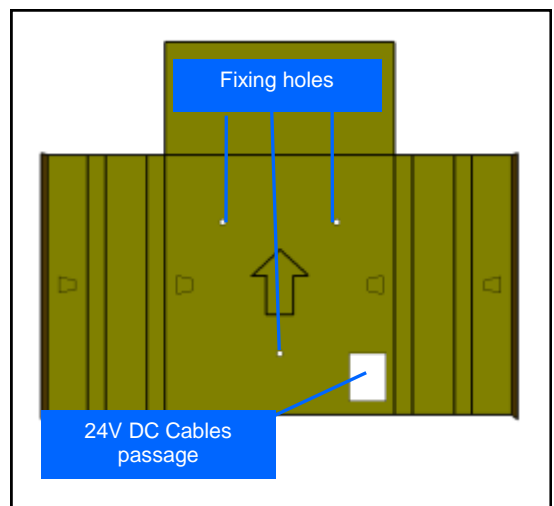
- Let a free space of 140cm from the supporting wall to allow easy opening of the Aivia.



- To mark fixing and cable passage, use the drilling template provided with the packing.

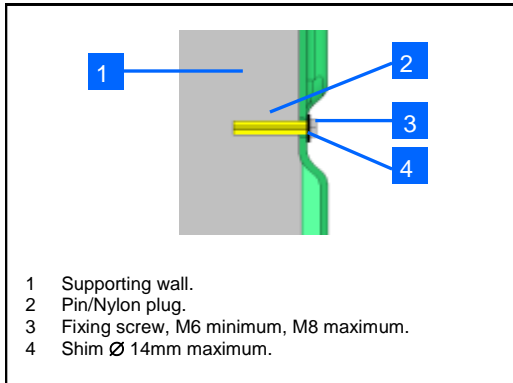


- Put the template against the wall, arrow facing you and directed forward.



# Installation

- Fixing must be adapted to the type of support the Aivia is being fixed on.
- Aivia fixing must be able to carry a minimal load of 20 kg.
- Fixing example:

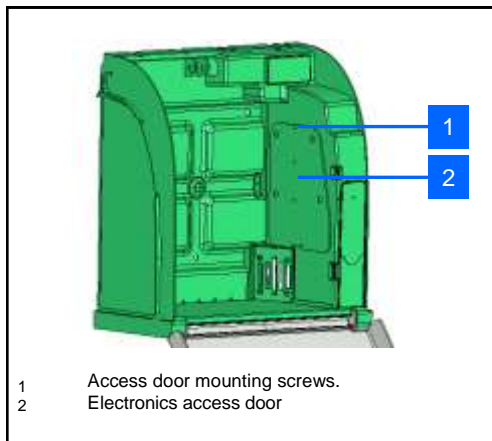


- Shim plus screw head thickness must not exceed 8mm.

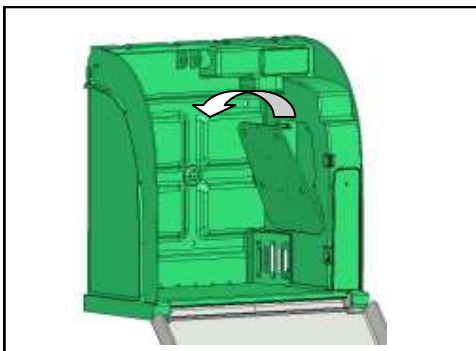
**slide all the necessary cables through the hole before fixing the Aivia to the wall.  
Affix the Aivia using the 3 fixing holes..**

## Connect power to the Aivia

**The Aivia must be supplied with 24VDC power, ensure compliance with the "Electrical Installation" section**

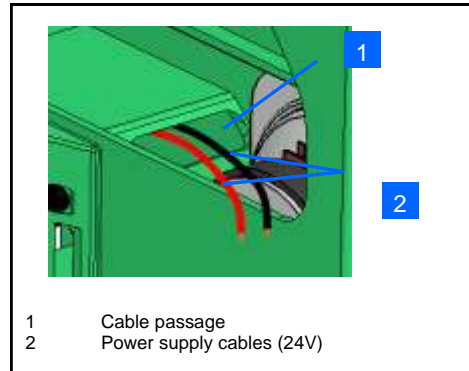


- Unscrew the door mounting screw with a star screwdriver and tip the door from above.

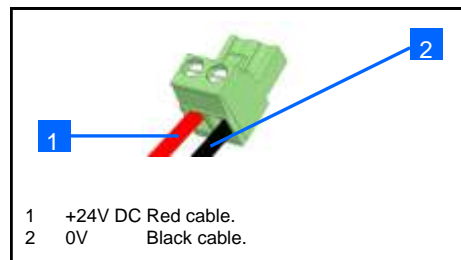


## Connect the power supply to the Aivia

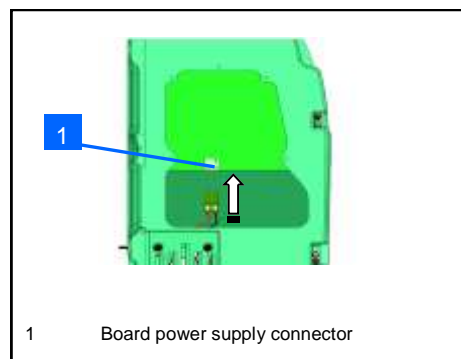
- The Aivia must be powered using 24V DC, see the « Power supply » section
- Slide the power supply cables through the cable passage.



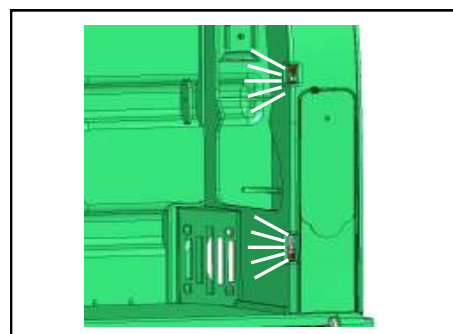
- Connect the cables on the connector block respecting the polarity.



- Plug the connector block on the board.

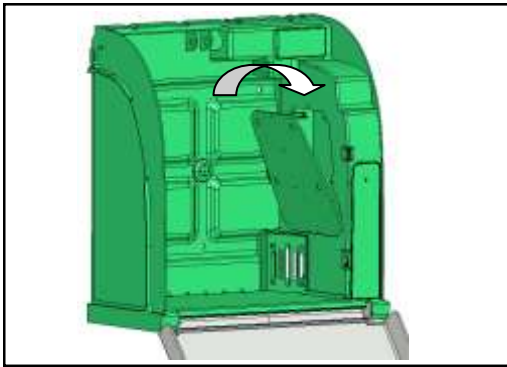


- Check the energization of the Aivia by verifying that the white indicators are lighted.



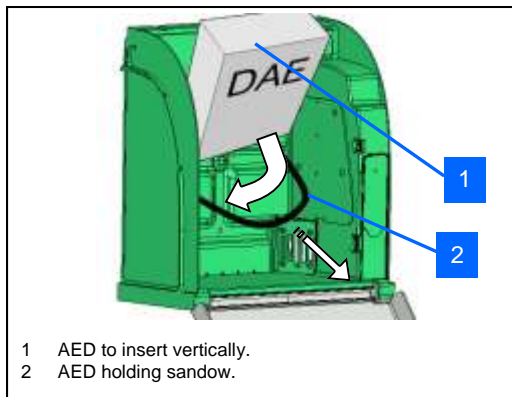
# Installation

- Put back the hatch, inserting the lower part first.
- Screw the hatch fixing screw using a cruciform screw-driver.



## Installing the AED

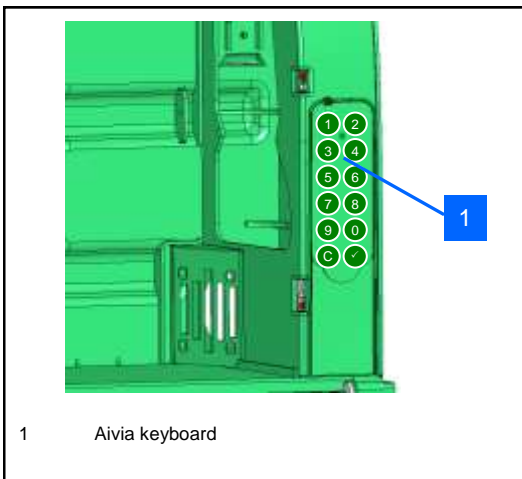
- Pull the holding sandow and insert the AED behind the sandow.



- The sandow allow for a simple extraction of the AED while ensuring the holding of the AED.

## Setting up the Aivia

- The Aivia is set up in Maintenance mode. For that matter, energize the Aivia, door opened .



- All the entries are validated by the key . A An acute beep validates the entry whereas a grave beep signals an invalid entry.

## Door opening codes

- Modifying the user code :  
The user code allows the opening, it is by default set on 0000.

Type the menu code 03, then validate :



Type the new user code on 4 digits, then validate ( e.g. 2222) :



- Modifying the maintenance code :  
The maintenance code allows the opening, and once opened, the Aivia set up. The default value is 1111.

Type the menu code 04, then validate :



Type the new maintenance code on 4 digits, then validate ( e.g. 3333) :



## Alert temperatures

- Low temperature alert entry (Heating option) :  
If this threshold is matched, The aivia will blink 4 times to indicate a temperature alert.

Type the menu code 101, then validate :



Enter the low temperature alert threshold( e.g. 10°C)



You can enter a negative temperature using the key



- High temperature alert entry (Heating option) :  
If this threshold is matched, The aivia will blink 4 times to indicate a temperature alert.

Type the menu code 102, then validate :



Enter the high temperature alert threshold( e.g. 35°C)



# Installation

## Heating/Fan activation temperatures

- Entering the heating temperature (Heating option)  
Heating will be triggered once this threshold is matched.  
It will stay activated as long as the temperature has not got warmer than the threshold.

Type the menu code 103, then validate :



Enter the heating threshold( e.g. 10°C)



You can enter a negative temperature using the **C** key



- Entering the fan activation temperature (Heating option):  
Fan activation will be triggered once this threshold is matched.  
It will stay activated as long as the temperature has not got colder than the threshold.

Type the menu code 104, then validate :

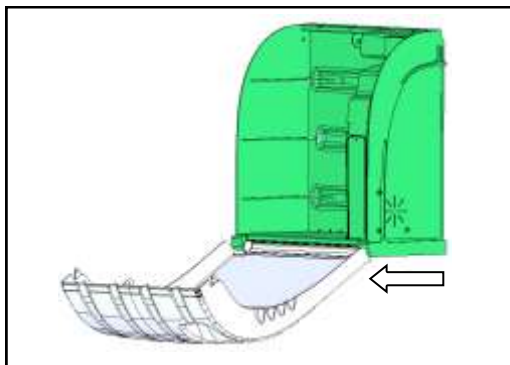


Enter the fan activation threshold ( e.g. 35°C)



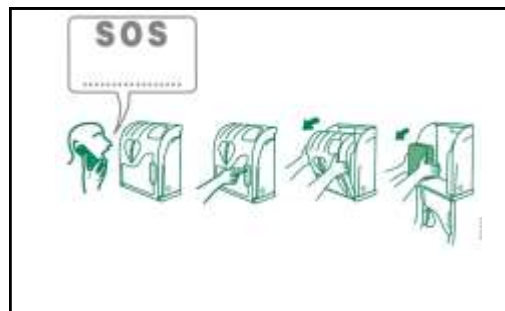
## Close the AIVIA door

- Completely close the Aivia door Be sure to pull the door foot toward you before to swing the door



## Pictograms

- The signs on the door of AIVIA inform you of what to do in case of emergency.
- You must mark the emergency number to call in the SOS pictogram if one is not already noted there.



- Check that the instructions stay clear and unmasked.



## Notes

---

## Use

### Night mode operation

- The aivia is equipped with a light sensor. When luminosity becomes insufficient, white indicators blink to signal the Aivia site.

### Heating option operation

- The heating option allows to maintain the AED operating temperature within some limits. In extreme cold temperatures, it is appropriate to check that the alert temperature is not signaled by blinkings of the red indicators.

- The fan allows the heat to be drawn out of the Aivia. In hot weather, it is appropriate to check that the alert temperature is not signaled by blinkings of the red indicators

### Alert operation

#### Door opening alert:

- When the door is opened the visual alert is given by the blinking of the red indicators.

- If your Aivia is equipped with the siren option (Reference : X2A210-XX100 or X2A210-XX101) It will be activated during 3 minutes .

#### Temperature alerts:

- The temperature alert, signaled by 4 repeated blinkings of the red indicators door close is triggered when the temperature gets below the minimum temperature defined, or over the maximum temperature defined.

### Using the Aivia

#### If you witness an incident needing an AED.

##### • Contact emergency services.

Speak using a clear and loud voice, describe the situation without forgetting to precise the incident location. The user code will allow you to unlock the aivia.



##### • Type the user code to unlock the Aivia.



##### • Open the Aivia door by pulling it.

Visual alert is given by the blinking of the red indicators.



##### • Take the AED Off.



- Get to the victim.
- Power on the AED.
- Follow the AED's instructions.

### After using the defibrillator

- Do not place the defibrillator back inside the AIVIA before reactivating it.

- Follow the instructions in the defibrillator's manual to reset it for use.

- The manufacturer may be able to help reactivate the defibrillator. Please feel free to contact them.

- After reactivating the defibrillator, replace it inside the AIVIA using the instructions in the section "Setting up the defibrillator."

- Replace the seal using the instructions in the section "Installing a seal".

### Aivia maintenance

- Wash the Aivia surfaces using a wet cloth. Wipe the Aivia with a clean & dry cloth. Do not use washing or chemical products, they could damage it.

- Do not rub the Aivia with any hard object, you might damage it permanently or streak it.

- Do not use a high pressure cleaner.

## In case of breakdown

---

- White indicators do not light up at the aivia energizing.

1. Check the wiring polarity.
2. Check the power supply cable connection.
3. Check the voltage at the connector block.
4. Check the insertion of the connector block.
5. Contact your partner.

- White indicators do not blink in night operation.

1. Check the aivia energizing.
2. Contact your partner.

- Red indicators do not blink when the door is being opened.

1. Check the aivia energizing.
2. Contact your partner.

- Siren does not works when the door is opened.

1. Check for the siren option on the Avia identification plate.
2. Check the aivia energizing.
3. Contact your partner.

- I do not know my maintenance/user code.

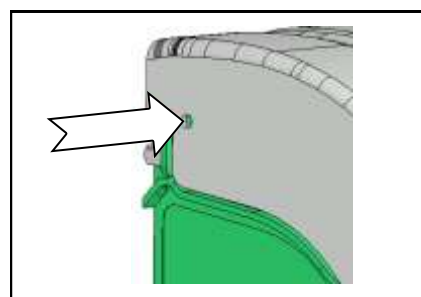
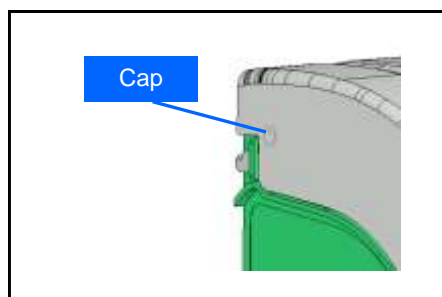
1. Shut down the Aivia power supply.
2. Open the Aivia.
3. Energize the Aivia, the white indicators will be lighted.
4. Set the User/Maintenance code, as described in the « Setting up the Aivia » section.
5. Close the Aivia.

- Red indicators blink in a repeated way.

Number of blinkings	Cause	Solution
1	Failing memory	Contact your partner.
2	Parameters lost	Set-up the Aivia again
3	Temperature sensor breakdown	Contact your partner
4	Alert temperature reached	Check AED operates correctly, if needed, contact your partner.
<b>Continuous</b>	Aivia has been opened	Check AED operates correctly, and presence of all the accessories, if needed, contact your partner.

- Aivia motorization doesn't work.

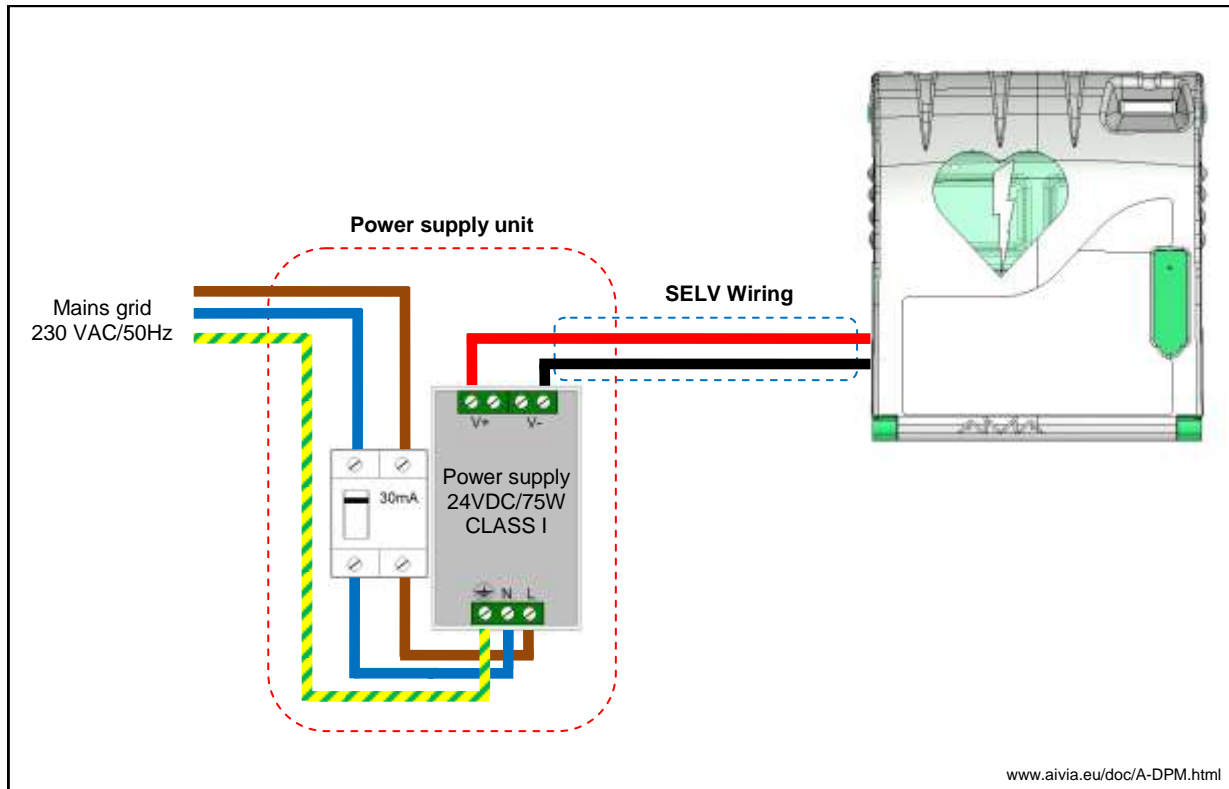
Withdraw the cap off the aivia door, and push back the door blocking axle with a stem .



## Notes

---

# Electrical Installation



## Power supply unit

**It must be outside the Aivia, never install it into the Aivia.**

- The power supply unit is made up from:
  - 10A/30mA Circuit breaker.
  - 24VDC/75W CLASS I (TT Earthing System) Power supply\*.
- The power supply must be limited in output power.
- Its mains wiring must contain Live, Neutral, and Earth/ Ground.
- Full load voltage drop on the secondary must not exceed 2%, in that case 23,5V at the Aivia connector block.
- Power supply unit parts must be protected against water, dust, and ventilated\*\*.
- **Wiring of the power supply unit must comply by existing regulations in the country of installation.**

\* Recommended power supply: PYRESCOM C\_AL/DR75-24.

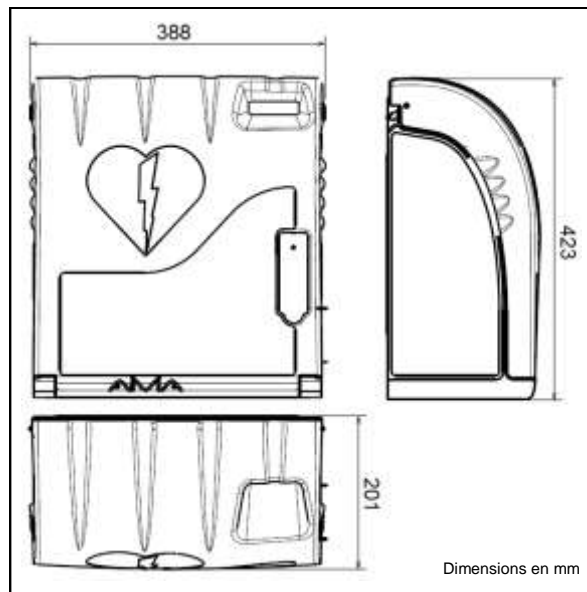
\*\* Natural or forced convection depending on the environment and thermal characteristics at maximum load.

## SELV Wiring :

- U1000R2V Type. 2 Isolated and gained conductors, 1,5mm<sup>2</sup> gauge, 10 meters maximum length.
- For the 24V wiring use a red or brown cable.
- For the 0V wiring use a black or grey cable.

# Specifications

## Mechanical characteristics



- Weight
  - X2A210-XX000: 2,9 Kg.
  - X2A210-XX100 (siren option): 3,1 Kg.
  - X2A210-XX001 (heating option): 3 Kg.
  - X2A210-XX101 (siren & heating option): 3,3 Kg.
- Composition:
  - Door: Polycarbonate.
  - Chassis: ABS.
  - Square: ABS.

## Electrical characteristics

- Power supply:
  - 24 VDC 75 Watts, limited power source.
- Aivia operating temperatures:
  - Minimum: -20°C.
  - Maximum: 55°C.
- Temperature alerts:
  - Low temperature alert: defined by user. (5°C by default).
  - High temperature alert: defined by user. (40°C by default)
- Heating option:
  - (Références: X2A220-XX001 or X2A220-XX101)
  - Heating threshold : defined by user. (10°C by default).
  - Fan threshold: defined by user. (30°C by default).
- Current consumption:
  - X2A210-XX000:
    - Minimum: 55mA.
    - Maximum: 200 mA.

- X2A210-XX100 (siren option):
  - Minimum: 55 mA.
  - Maximum: 500 mA.
  - Sound level: 90-105 dB / 1 meter.
- X2A210-XX001 (heating option):
  - Minimum: 55 mA.
  - Maximum: 2000 mA.
- X2A210-XX101 (siren and heating option):
  - Minimum: 55 mA.
  - Maximum: 2400 mA.
  - Sound level: 90-105 dB / 1 meter.

## Compliance

- EN 55022:2006
- EN 55024: 1998/ A1 : 2001/ A2 : 2003
- EN 60950-1 : 2006

## Notes

---

[www.aivia.eu](http://www.aivia.eu)